

HEUEL-SAFE

Types:

Set of mounting plates for fixing structures on roofs
Order no. 520 00, 526 00 und 528 00

Set of mounting plates with roof hook and attachment point to hook on equipment
Order no. 525 00

(All articles tested to DIN EN 517-A)



Fachverband
Bauliche Einrichtungen
Prüf- und Zertifizierungsstelle
im BG-PRÜFZERT



Deutsche Gesetzliche
Unfallversicherung



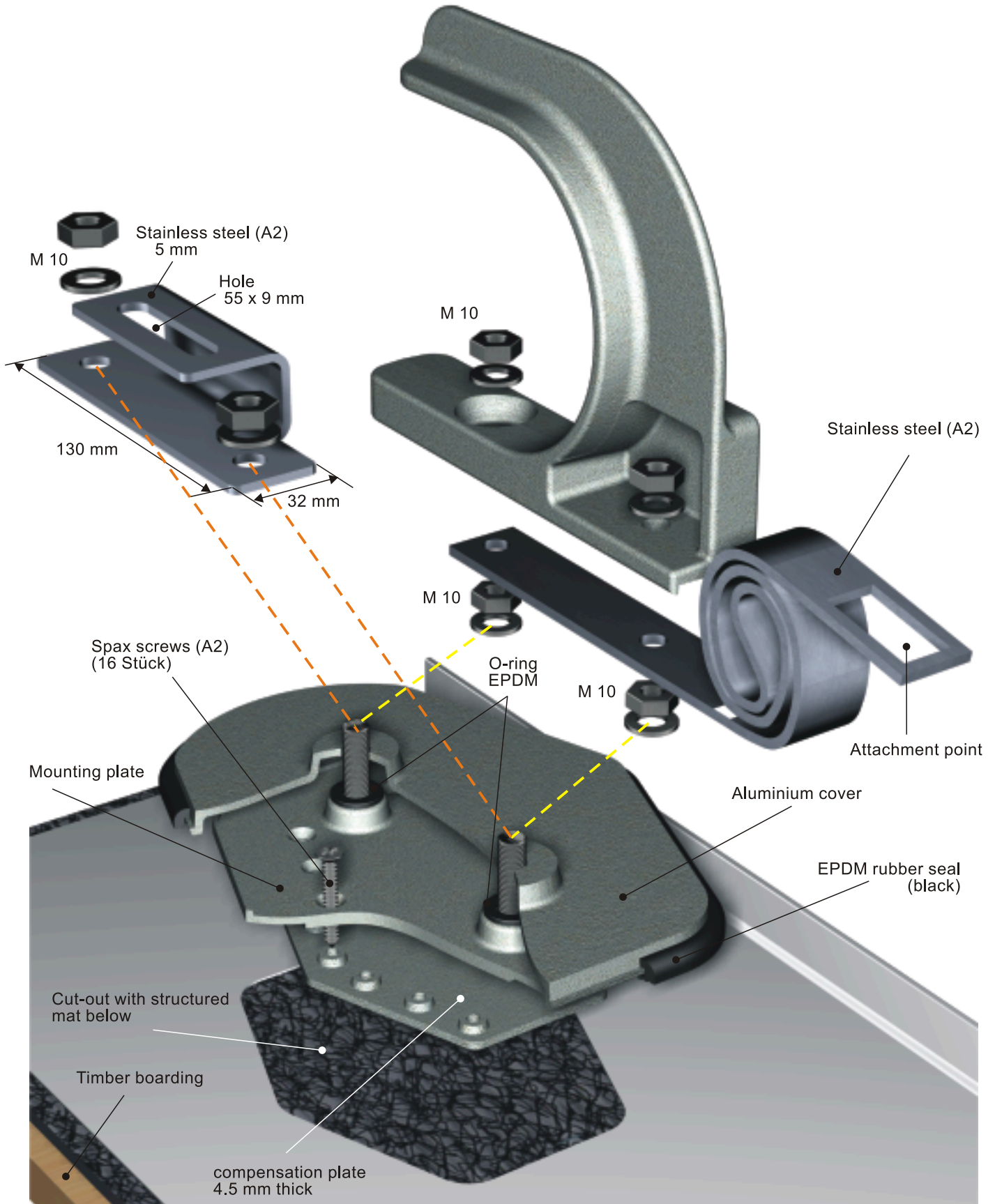
Fachverband Bau
Prüf- und Zertifizierungsstelle im BG-PRÜFZERT

How to mount HEUEL-SAFE

When mounting HEUEL-SAFE in steel or wood a qualified engineer must prove by way of calculation that the structure and the installation withstand the forces calculated at the inspection and approval of the construction.

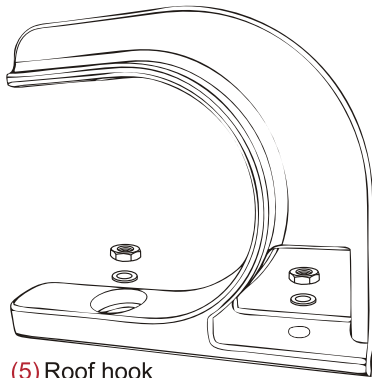
If the elements are to be mounted in other materials, their fitness for this purpose must be verified by testing them with a sample of the material to be used!

The mount for solar panels, the attachment point, bolts and nuts are made of stainless steel. The mounting plate and the roof hook are manufactured from high-grade cast aluminium and do not need any maintenance after mounting.

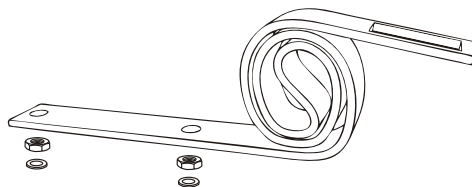


Procedure

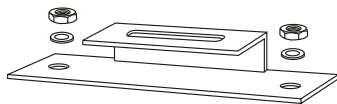
The mounting plate must only be installed on solid ground! If there is a structured mat on the boarding, the mounting plate must be screwed onto the boarding together with a compensation plate (1) to allow for linear expansion of the zinc sheeting! The timber boarding must have a minimum thickness of 24 mm and be screwed to the rafters with 3 screws (5x60 mm) each!



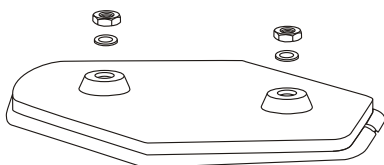
(5) Roof hook



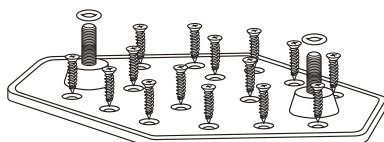
(6) Attachment point



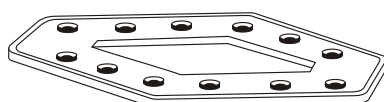
(4) Mount for solar panels



(3) Aluminium cover



(2) Mounting plate (base part)



(1) Compensation plate 4.5 mm thick

Step 1

Place supplied template on the metal roof and mark cut-out. Always make sure that the attachment point is at a distance of 3 m minimum from the bargeboard and that the elements are mounted onto or near the rafters.

Step 2

Make cut-out and screw mounting plate (2) to timber boarding using supplied spax screws (5 x 60 mm). Fit O-rings (EPDM) to threaded bolts.

Step 3

Fit cover (with EPDM rubber seal) (3), then screw cover with washer and nut (M10) to mounting plate. Torque = 15 Nm.

Additional step (for roof hook with attachment point)

Fit attachment point (6) onto threaded bolts (see drawing)

Step 4

Fit roof hook (5) or mount for solar system (4) onto threaded bolts (see drawing), fasten with washers and nuts (M10).

For further information on how to mount and use the individual products, please visit www.heuel.de. Here you will find the latest versions of all instructions for installing, mounting and using our products.

Bill of materials

Prior to using the attachment point, the system must be visually inspected. In case any changes on individual parts are detected, these parts must be replaced immediately. The attachment point must not be changed and nothing must be added to it. Any repair work must be carried out according to the manufacturer's instructions. Only the supplied original attachment point must be used! The attachment point must only be used by persons who have been instructed on how to use it safely and have the required expertise.

